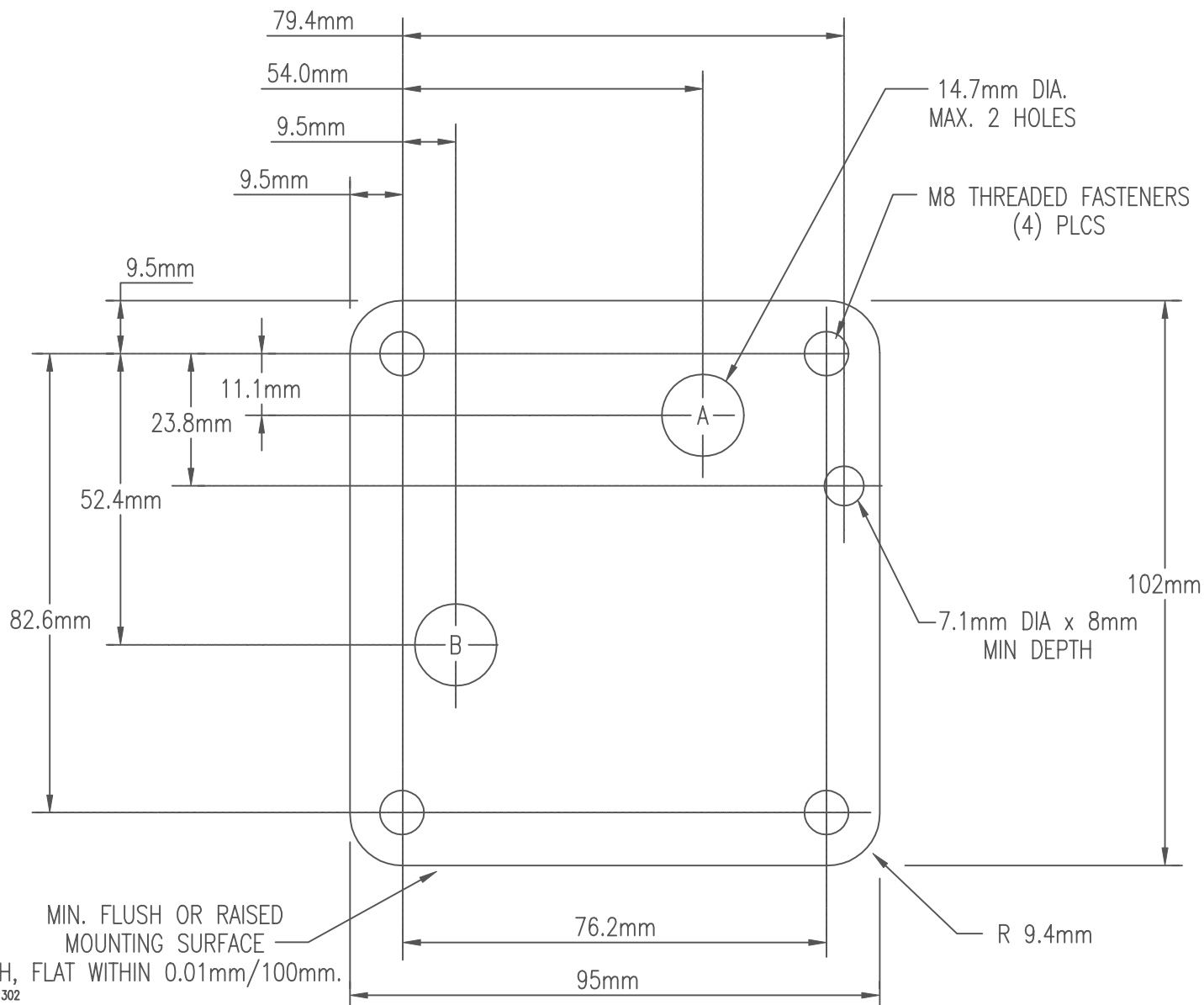


F03

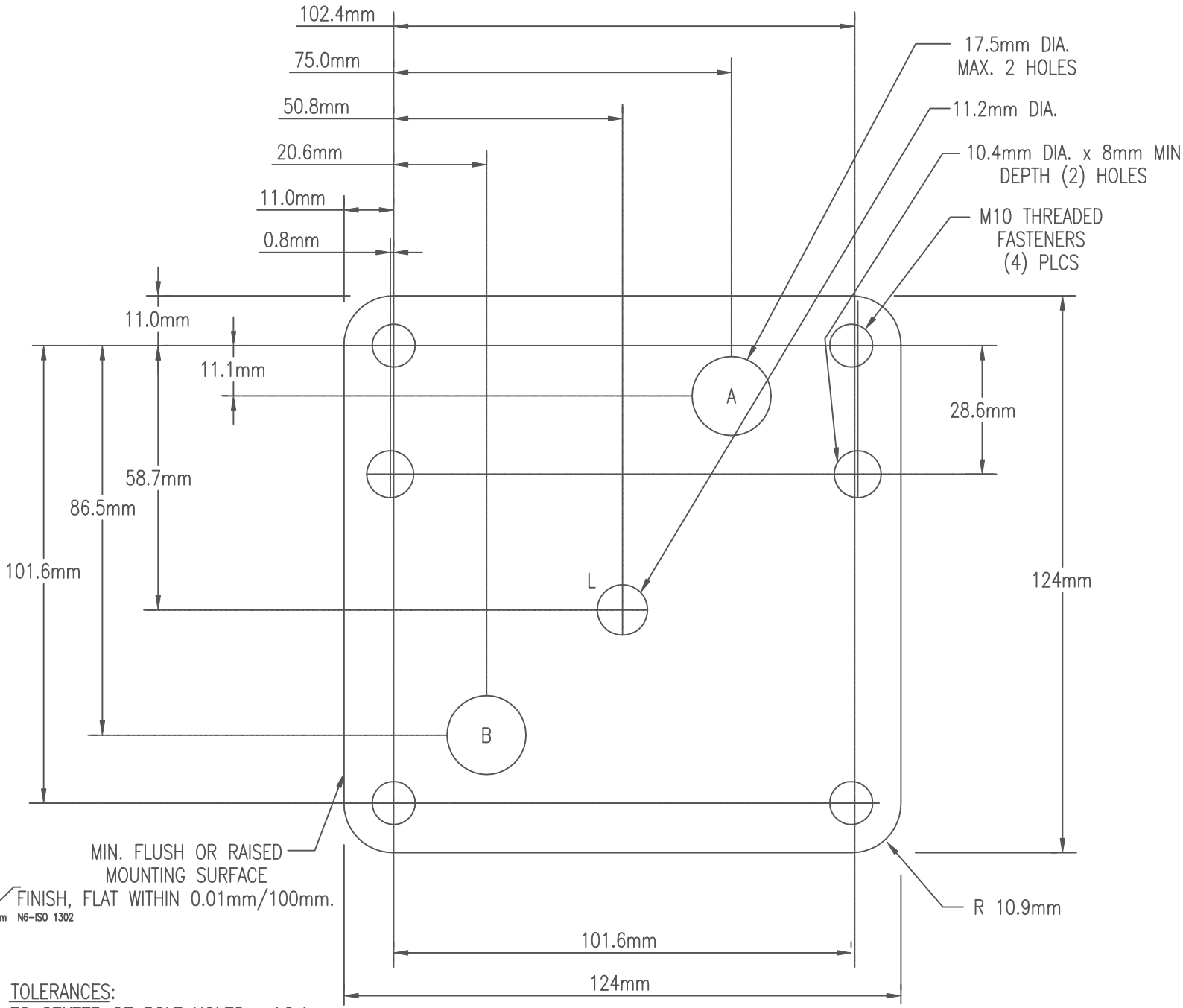
TOLERANCES:
 TO CENTER OF BOLT HOLES: $\pm 0.1\text{mm}$
 TO CENTER OF PORT HOLES: $\pm 0.2\text{mm}$
 TO CENTER OF PIN HOLES: $\pm 0.1\text{mm}$
 TOLERANCE FOR PIN DIA.: $\pm 0.2\text{mm}$



2F06

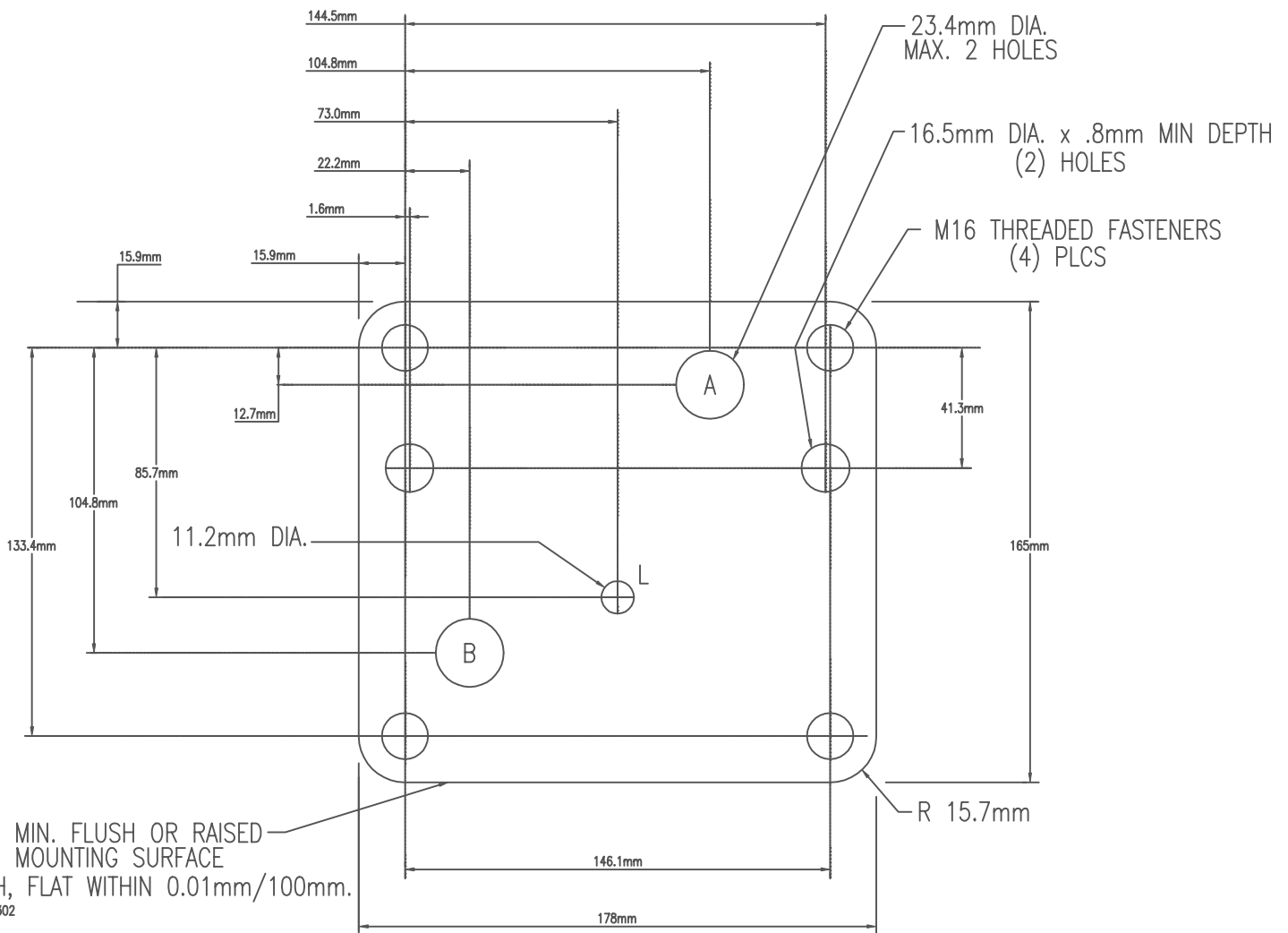
TOLERANCES:

- TO CENTER OF BOLT HOLES: ± 0.1 mm
- TO CENTER OF PORT HOLES: ± 0.2 mm
- TO CENTER OF PIN HOLES: ± 0.1 mm
- TOLERANCE FOR PIN DIA.: ± 0.2 mm



TOLERANCES:
 TO CENTER OF BOLT HOLES: $\pm 0.1\text{mm}$
 TO CENTER OF PORT HOLES: $\pm 0.2\text{mm}$
 TO CENTER OF PIN HOLES: $\pm 0.1\text{mm}$
 TOLERANCE FOR PIN DIA.: $\pm 0.2\text{mm}$

2F07

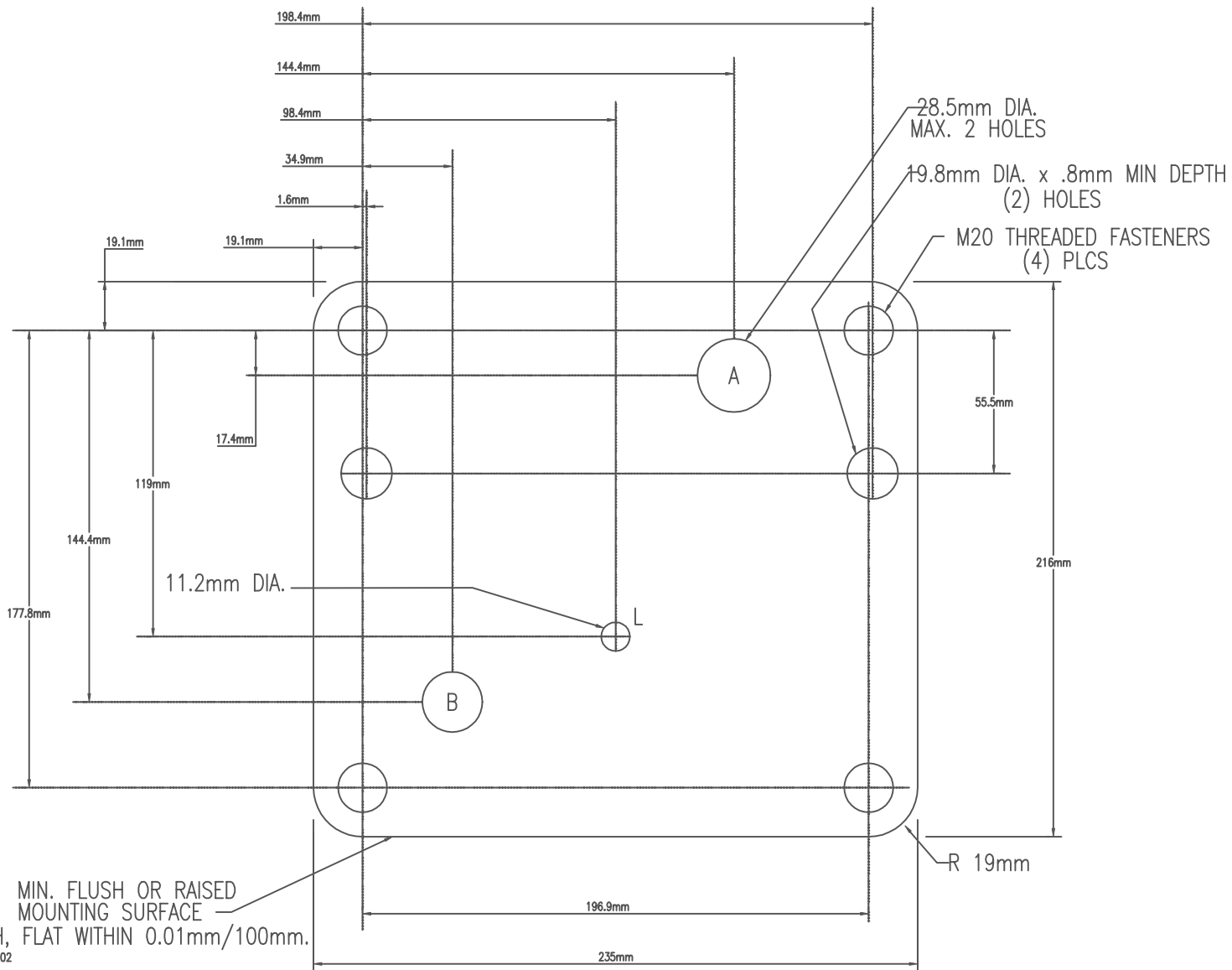


8 $\sqrt{\text{um}}$ FINISH, FLAT WITHIN 0.01mm/100mm.
um N6-ISO 1302

2F08

TOLERANCES:

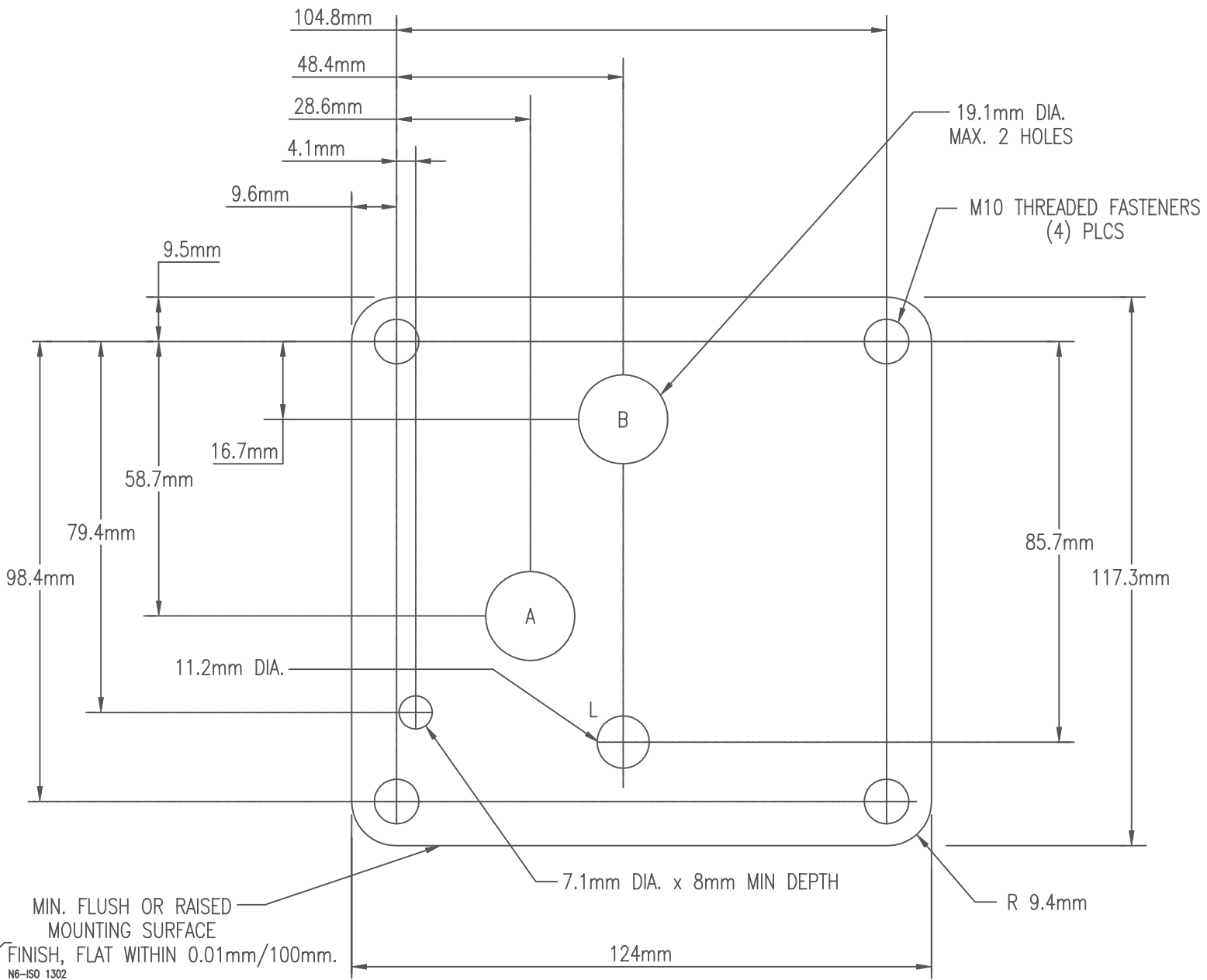
- TO CENTER OF BOLT HOLES: $\pm 0.1\text{mm}$
- TO CENTER OF PORT HOLES: $\pm 0.2\text{mm}$
- TO CENTER OF PIN HOLES: $\pm 0.1\text{mm}$
- TOLERANCE FOR PIN DIA.: $\pm 0.2\text{mm}$



2F09

TOLERANCES:

- TO CENTER OF BOLT HOLES: $\pm 0.1\text{mm}$
- TO CENTER OF PORT HOLES: $\pm 0.2\text{mm}$
- TO CENTER OF PIN HOLES: $\pm 0.1\text{mm}$
- TOLERANCE FOR PIN DIA.: $\pm 0.2\text{mm}$

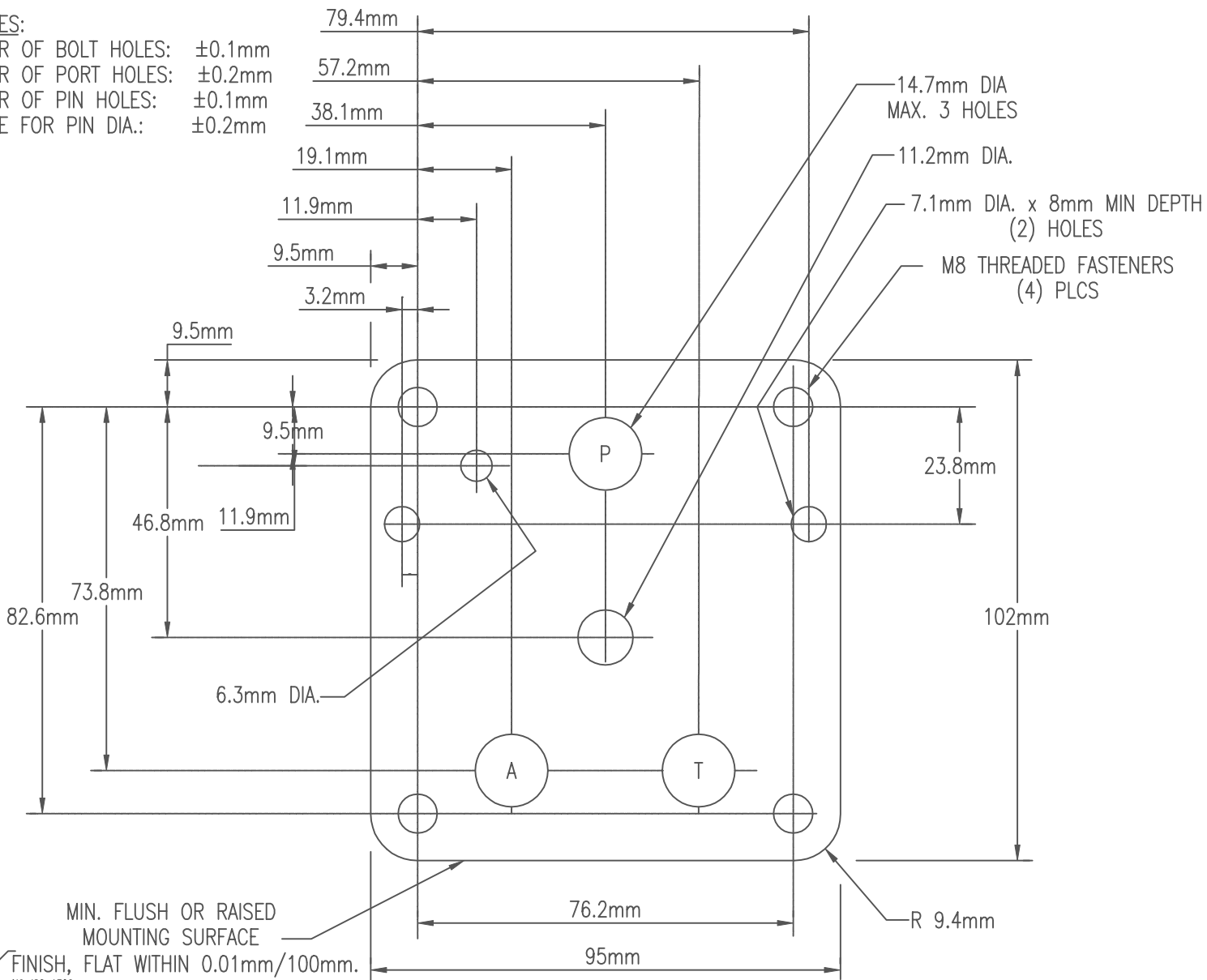


2FB07

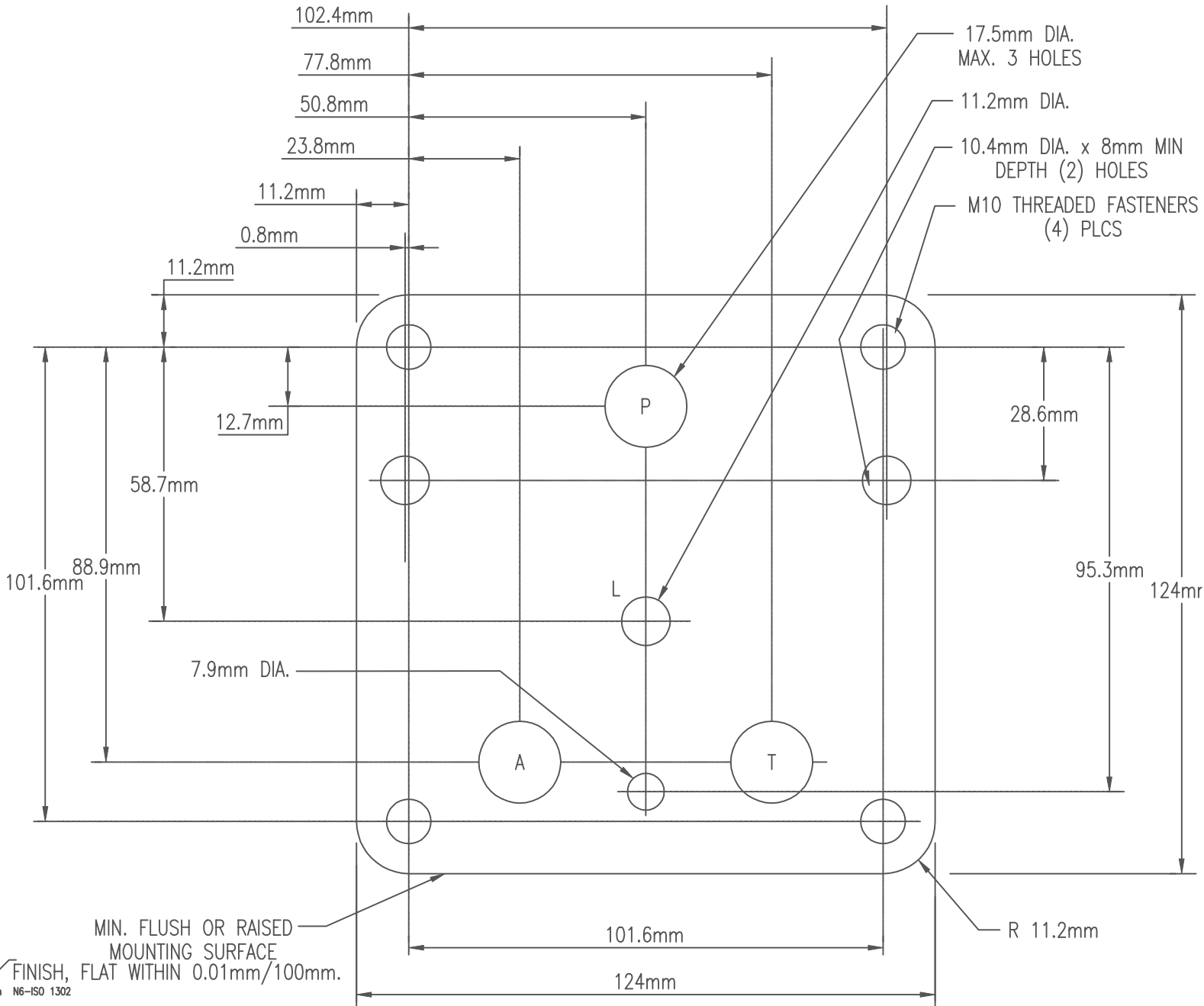
TOLERANCES:

- TO CENTER OF BOLT HOLES: $\pm 0.1\text{mm}$
- TO CENTER OF PORT HOLES: $\pm 0.2\text{mm}$
- TO CENTER OF PIN HOLES: $\pm 0.1\text{mm}$
- TOLERANCE FOR PIN DIA.: $\pm 0.2\text{mm}$

TOLERANCES:
 TO CENTER OF BOLT HOLES: $\pm 0.1\text{mm}$
 TO CENTER OF PORT HOLES: $\pm 0.2\text{mm}$
 TO CENTER OF PIN HOLES: $\pm 0.1\text{mm}$
 TOLERANCE FOR PIN DIA.: $\pm 0.2\text{mm}$



3F06



8 $\sqrt{\text{um}}$ FINISH, FLAT WITHIN 0.01mm/100mm.
um N6-ISO 1302

TOLERANCES:
TO CENTER OF BOLT HOLES: $\pm 0.1\text{mm}$
TO CENTER OF PORT HOLES: $\pm 0.2\text{mm}$
TO CENTER OF PIN HOLES: $\pm 0.1\text{mm}$
TOLERANCE FOR PIN DIA.: $\pm 0.2\text{mm}$

3F07