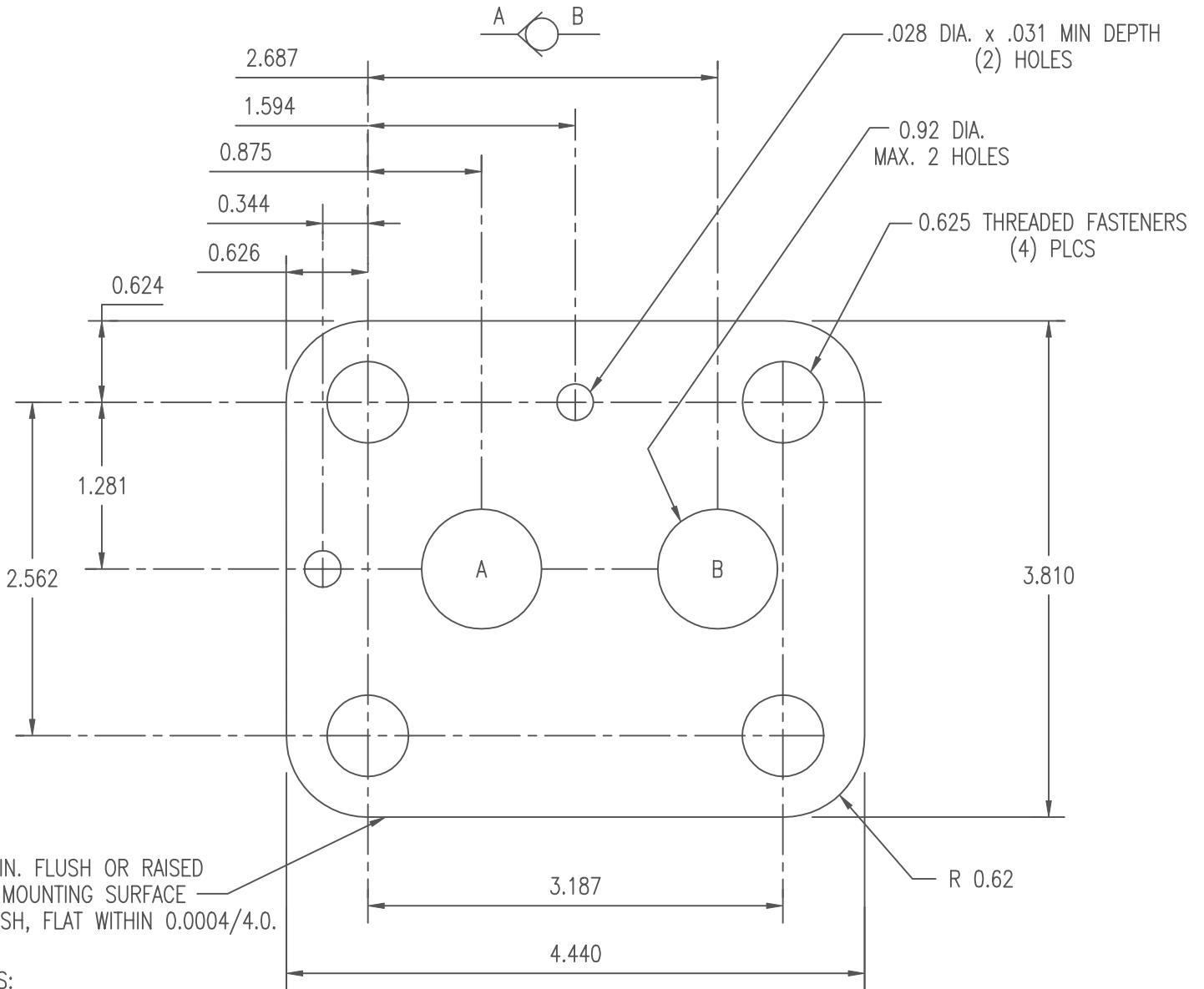


C06

TOLERANCES:
 TO CENTER OF BOLT HOLES: ± 0.004
 TO CENTER OF PORT HOLES: ± 0.008
 TO CENTER OF PIN HOLES: ± 0.004
 TOLERANCE FOR PIN DIA.: ± 0.008

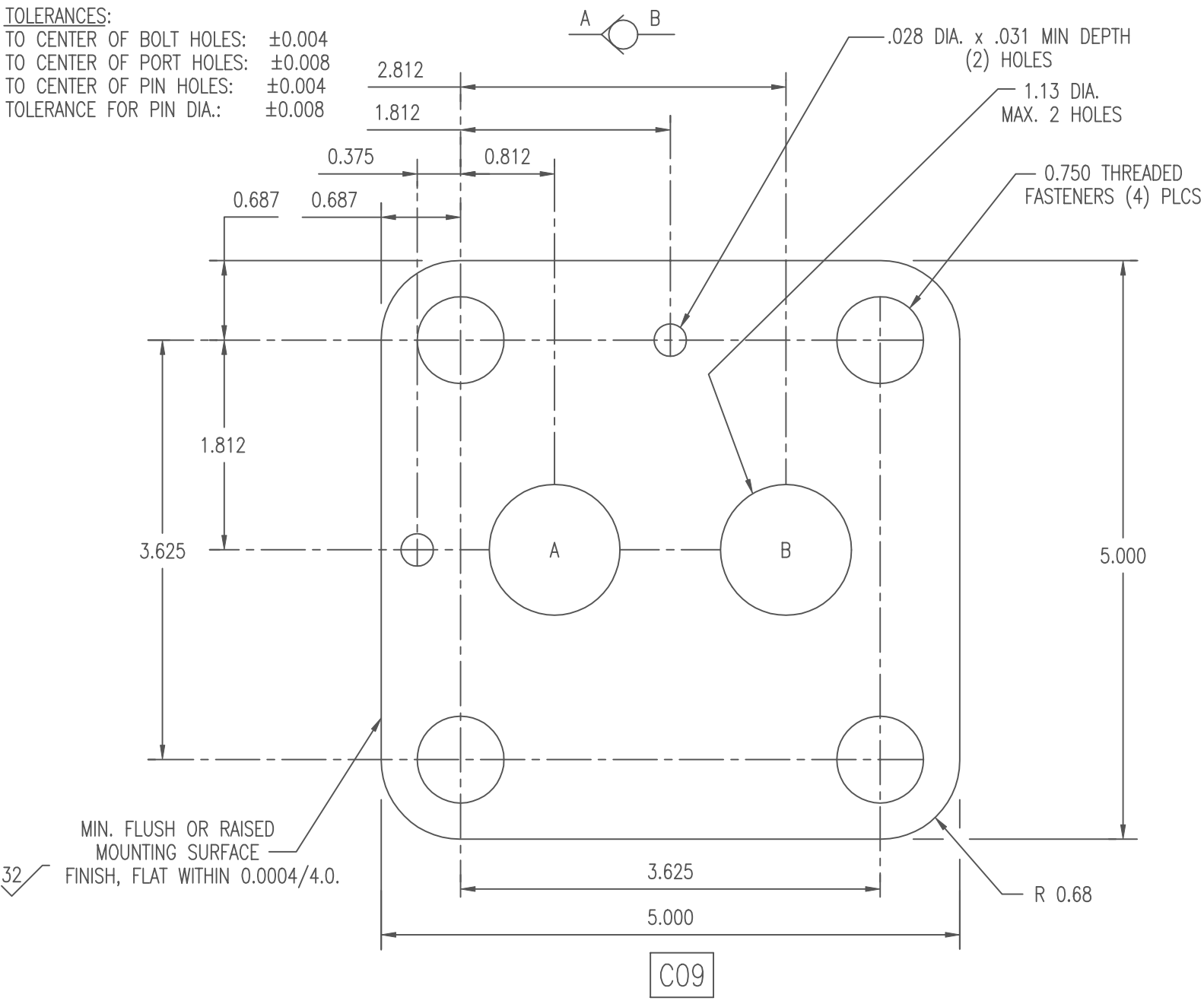


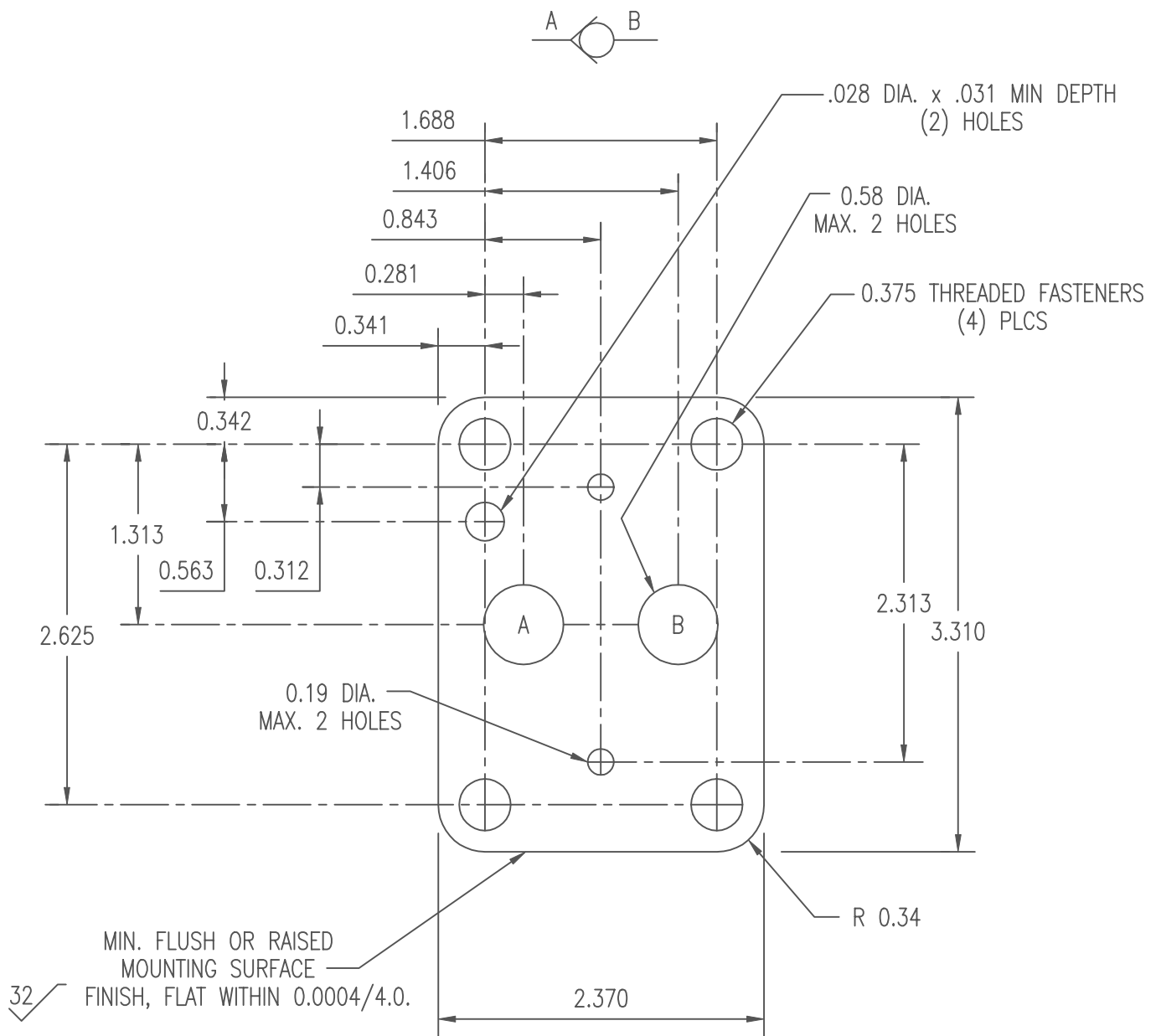
32° MIN. FLUSH OR RAISED MOUNTING SURFACE FINISH, FLAT WITHIN 0.0004/4.0.
 TOLERANCES:
 TO CENTER OF BOLT HOLES: ± 0.004
 TO CENTER OF PORT HOLES: ± 0.008
 TO CENTER OF PIN HOLES: ± 0.004
 TOLERANCE FOR PIN DIA.: ± 0.008

C08

TOLERANCES:

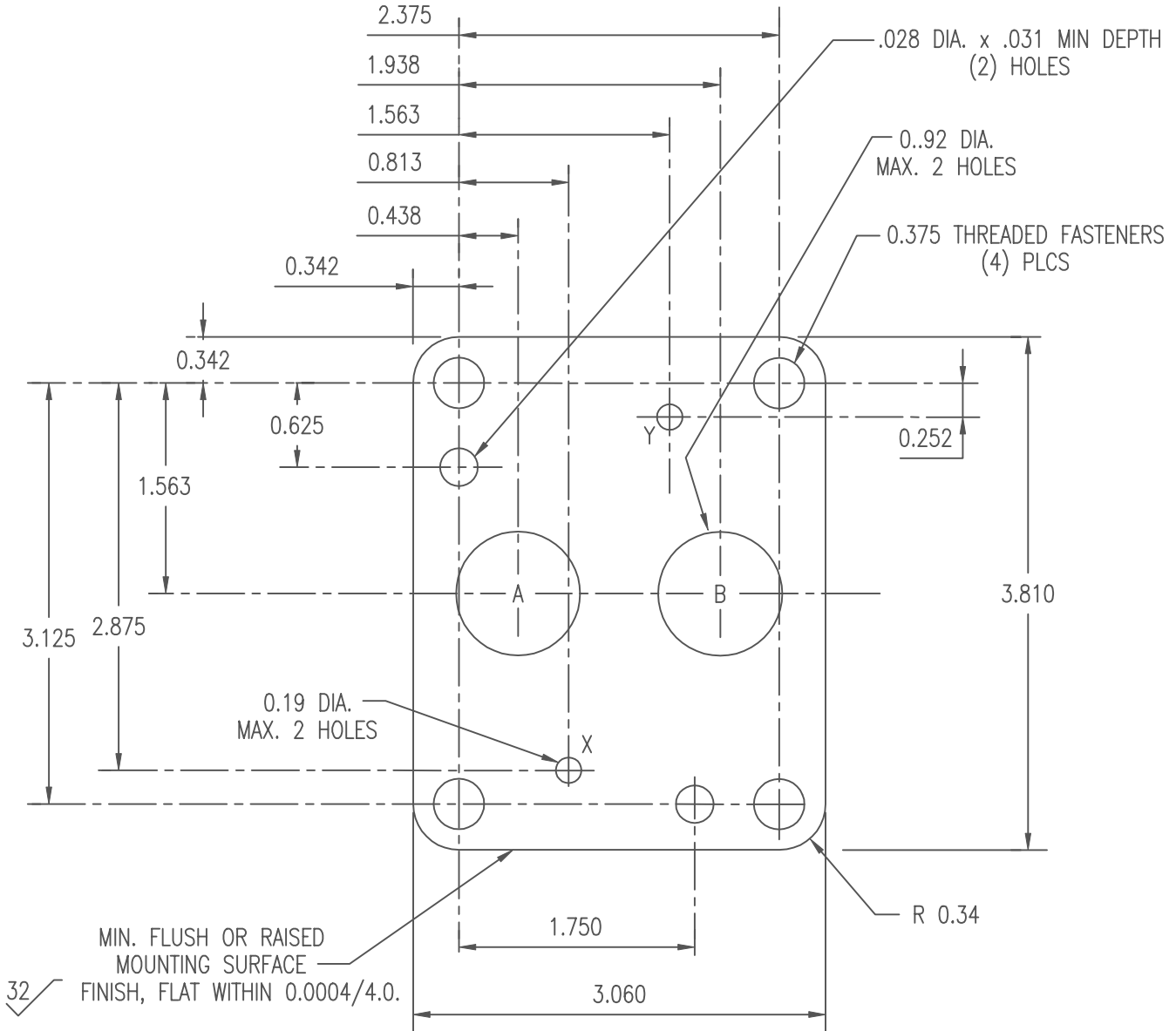
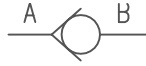
- TO CENTER OF BOLT HOLES: ± 0.004
- TO CENTER OF PORT HOLES: ± 0.008
- TO CENTER OF PIN HOLES: ± 0.004
- TOLERANCE FOR PIN DIA.: ± 0.008





POC06

TOLERANCES:
 TO CENTER OF BOLT HOLES: ± 0.004
 TO CENTER OF PORT HOLES: ± 0.008
 TO CENTER OF PIN HOLES: ± 0.004
 TOLERANCE FOR PIN DIA.: ± 0.008



POC08

TOLERANCES:
 TO CENTER OF BOLT HOLES: ± 0.004
 TO CENTER OF PORT HOLES: ± 0.008
 TO CENTER OF PIN HOLES: ± 0.004
 TOLERANCE FOR PIN DIA.: ± 0.008

